
C6 EVO IOT USER MANUAL

FOALING ALARM

Via Atene,3 41049 sassuolo MO Italia

SW:1.1.1

Index:

- System overview.....pag. 2
- C6 EVO TRANSMITTER.....pag. 3
- C6 EVO IoT BASE (RECEIVER)..... pag. 4
- How Insert the SIM card..... pag. 5
- Slides Home..... pag. 6
- Slides Settings..... pag. 7
- Slides Phone Numbers..... pag. 8
- Slides More Numbers.....pag. 9
- Slides Change Pass and Language.. pag.10
- Slides Test..... pag.11
- Slides Test C6 Transmitter.....pag.12
- Slides Test Bell.....pag.13
- Slides Connections.....pag.14
- Slides Times..... pag.15
- Slides Info.....pag.16
- Slides Alarm..... pag.17
- Warnings..... pag.18
- Warnings..... pag.19
- Maintenance.....pag.20
- Warranty.....pag.21
- Video Link.....pag.22

System overview



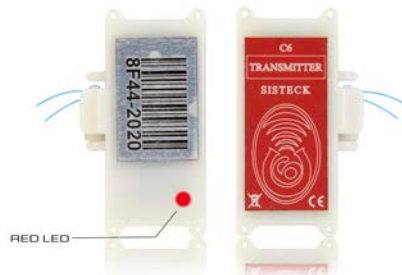
C6 EVO foaling alarm aims to alert the breeder at the right time of the beginning of the second stage of labor best described as the engagement of the foal in the vaginal canal.

The major function of the system is to alert of the start of the foaling process helping the breeder to detect this unpredictable event

C6 EVO base kit system is composed of two radio unit, the receiver module C6 EVO RX with its own power supply and the transmitter module C6 EVO TX.

First of all, before turn ON the C6 EVO RX connect the two antennas to the respective screw otherwise its possible cause damage the system.

C6 EVO TRANSMITTER



C6 EVO TX module is built in waterproof plastic with an electronic circuit in it stoked by a battery, able when activated, to send radio waves. The feature of this transmitter is that is even a receiver so when activated, in the instant later it receive a radio wave that will put in standby the battery optimizing the consumption.

It is provided , in the rear part, by a RED LED light that is activated when the C6 EVO TX send radio wave so, when blinking, signals the transmission of the radio waves helping to monitor the functionality of the system, like range of action and right functionality of the C6 EVO TX itself.

The radio transmissions are in sequences of 6 and are made visible by the blinking of the RED LED light.

The C6 EVO TX also provides an ID MAC NUMBER that identifies each C6 EVO TX and this information is readable in the touch screen of the C6 EVO RX and posted in the SMS message on the mobile phones listed in the setting menu opportunely selected

After each transmission there is a break for a few seconds.

Once the signal is picked up by the receiver the transmitter goes in standby and displays a double blinking of the RED LED light.

This double blinking is a sign of the beginning of the stand by phase of the C6 EVO TX and also a guide that is helpful to determine the right distance between RX and TX.

In the lateral outline is there is a longitudinal groove where the mobile part of the transmitter (made of magnetic cylinder fixed with a nylon suture material) is lodged. In the frontal plane there are also four visible small holes where the transmitter is sutured to the Mare's vulva. The electronic circuit is activated when the magnet becomes separated from the groove. **In order to avoid running down the battery , always leave insert the magnet inserted in its lodge of the C6 EVO TX.** In case you make a test to check the transmitter remember to turn on C6 EVO RX just to permit the stand by function described before. It's always advisable to put the magnet in its lodge after this check. In order to avoid accidental activation of the transmitter leave a distance between the transmitters of 3 cm and don't store in proximity of a magnetic source.

C6 EVO IoT BASE (RECEIVER)



C6 EVO IoT RX is a plastic shell that contains a main board with a radio wave receiver , a GSM module and a emergency battery in the even of a powercut that permits an autonomy of 12 hours.
On the lateral side there is the access to the SIM card drawer and a mini USB jack , covered by a yellow cap.

On the same side the ON/OFF button and the jack to connect the 220V power supply that must be kept always plugged in.
In the front a touch screen pad is well visible and below this three LED reporting three different statuses;
ON green led that blink every 15 sec ; ALARM red led that is activated during an alarm ;CHARGE.yellow led that turn on when the receiver is connected to the electrical network through it's power supply

The led Charge is visible only with the power supply connected to the 220/110 V network and with the C6 EVO RX turned ON

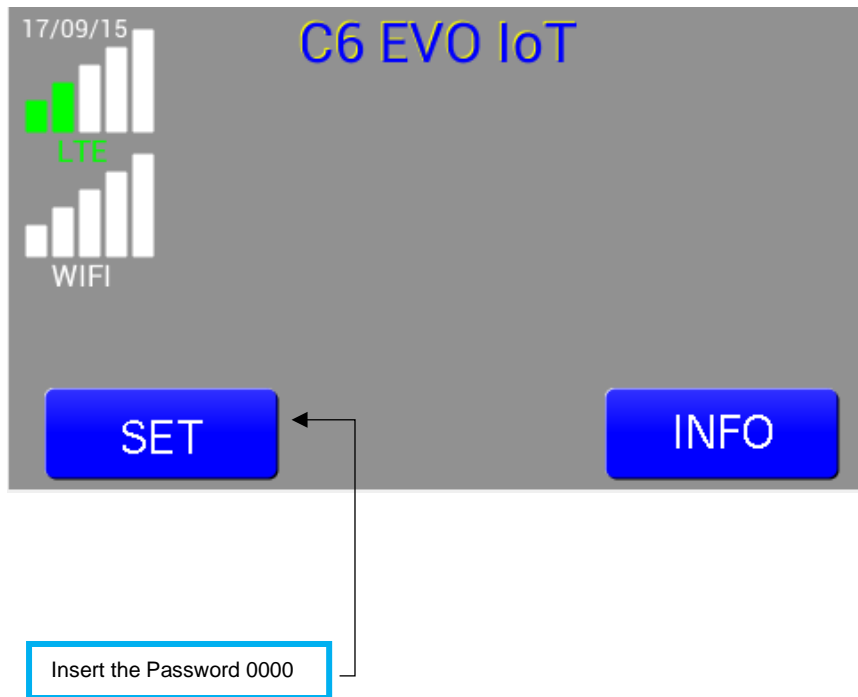
How Insert the SIM card



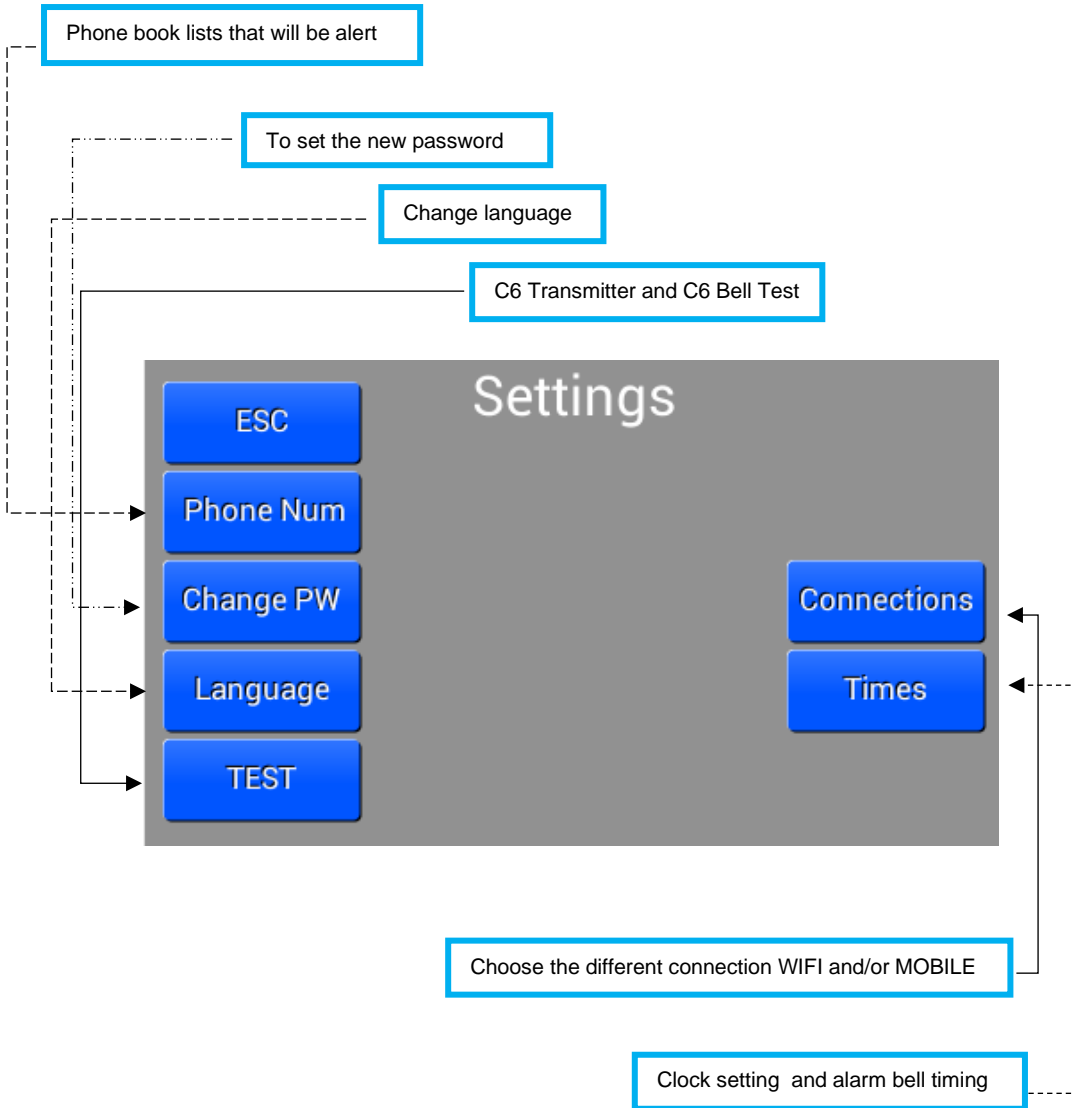
Under the white cup you'll find the groove where insert the SIM card like showed in the pictures above.

Of course choose the SIM of the mobile phone company that as the best signal in your area.

In case you need to connect to the server to run the APP take also some data traffic included



Slides Settings



Slides Phone Numbers

On the 1 line insert the first number that will be alerted

In case you're 220Volt network goes in blak out instance the system will alert you

The image shows a control panel interface with a table of phone numbers and their associated services. The interface includes an 'ESC' button at the top left and a '>' button at the top right. The table has four rows, each representing a phone number (123456789) and its status for SMS, VOICE, and POWER services. Callout boxes provide instructions: one points to the first row's number field, another to the first row's SMS toggle, and a third to the '>' button.

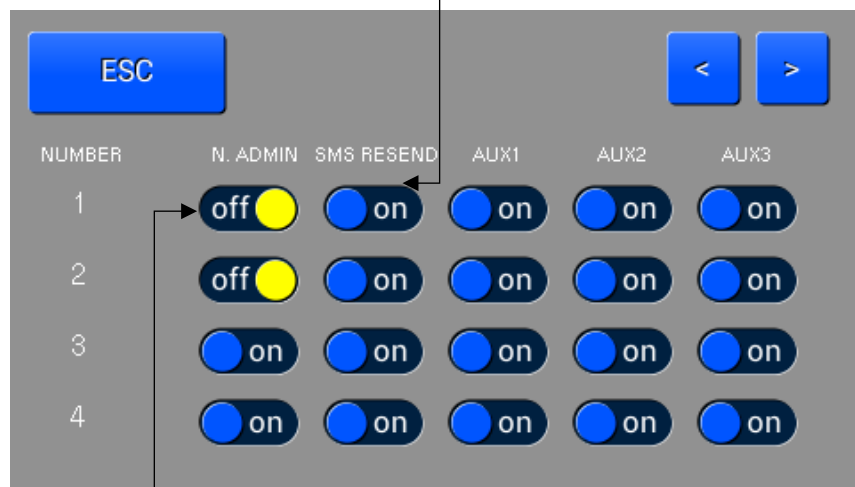
C	NUMBER	SMS	VOICE	POWER
1	123456789	off	off	on
2	123456789	off	on	on
3	123456789	on	on	on
4	123456789	on	on	on

Flag or unflag the service on yellow is ON

Next page

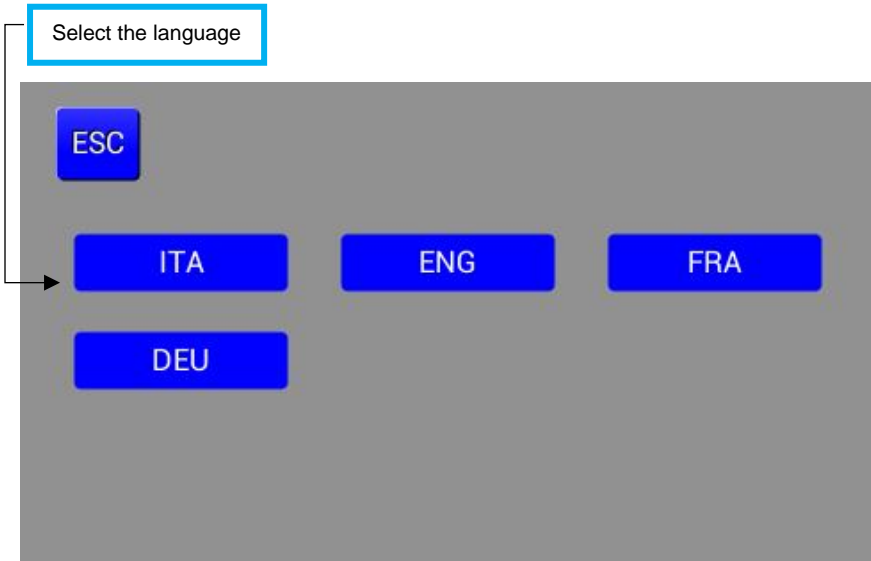
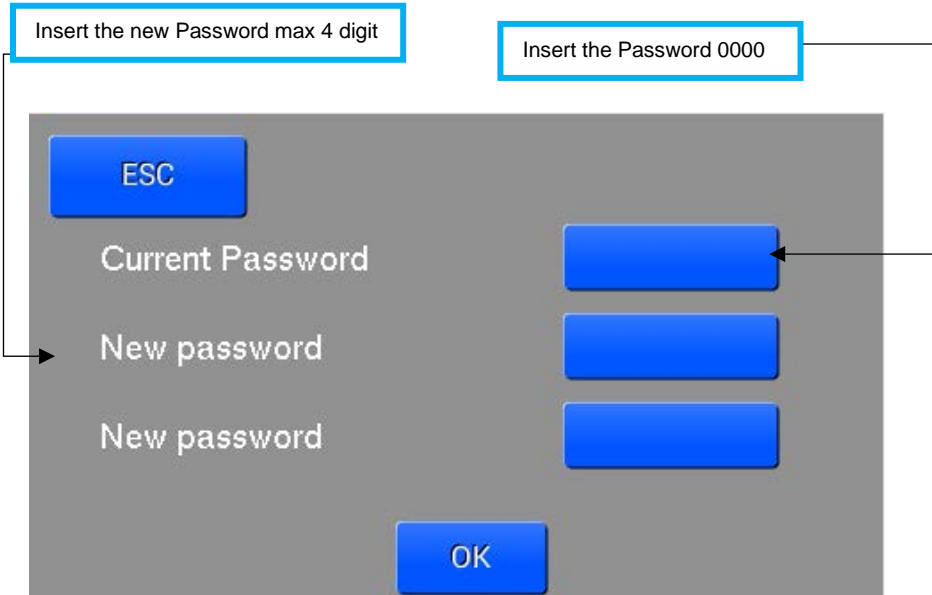
Slides More Numbers

Every SMS/TEXT received on the SIM card will be forwarded on the admin number



If you flag ON (yellow) that number (the first of the previous list) will be the ADMIN number that can manage more function BY SMS/TEXT to the receiver.

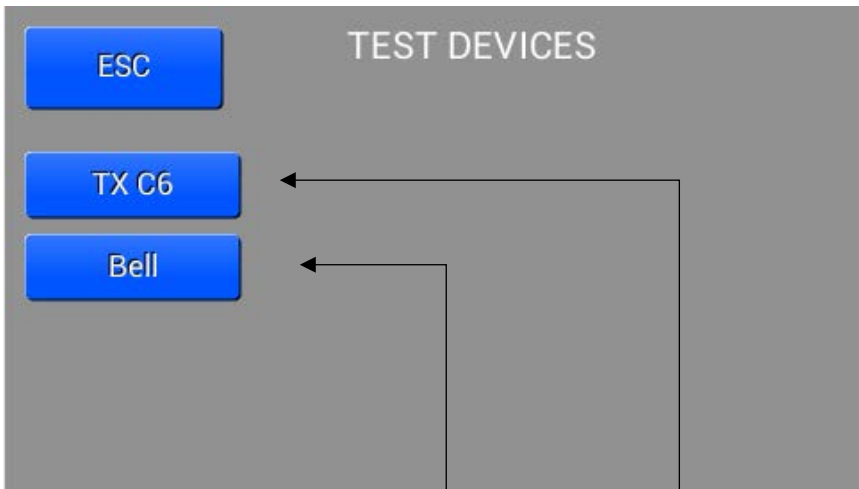
Slides Change Password and Language



Slides Test

In this area it is possible to perform coverage tests of the sensors and any siren.

It is important to proceed with this test BEFORE installation to have a measurement regarding the flow rate

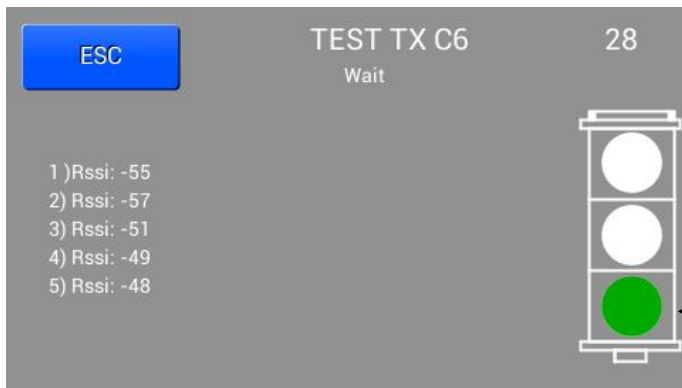
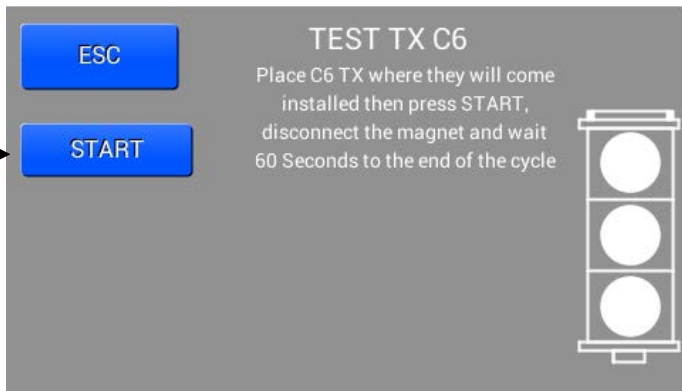


Open the C6 BELL Distance and Timing device menu

Open the C6 TEST Distance device menu

Slides Test C6 Transmitter

Performed by two people, operator 1 with the transmitter in hand will be positioned where the final location will actually be follow the instructions shown on the display, operator 2 on the receiver itself will press the START button; immediately afterwards, operator 1 detaches the magnet from the sensor You must wait 60 seconds for the cycle to complete and read the values written on the display on the left. Each line is a transmission, the digit before the parenthesis indicates the transmission number followed by its RSSI (indication of the received signal strength by the receiver) The Rssi values are negative but must never exceed -125 (more negative values = lower signal strength) Note: after 5/6 readings the procedure is concluded



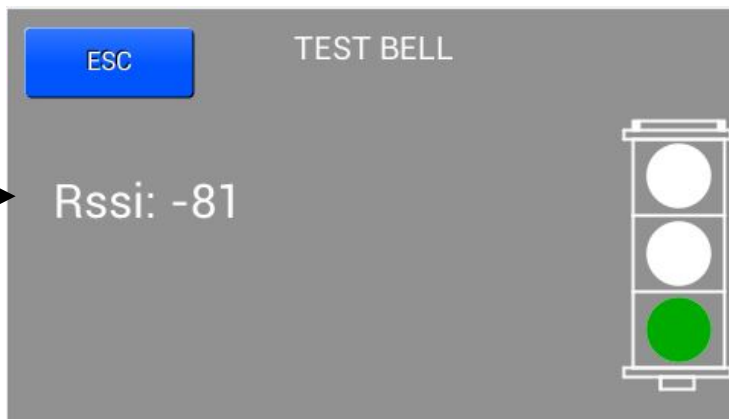
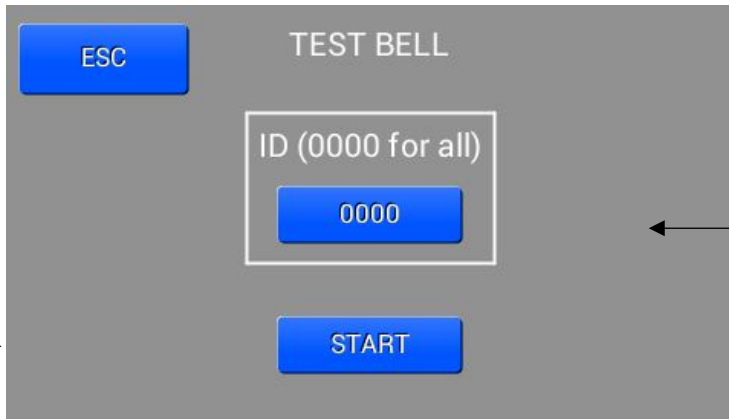
The RSSI Value reveal the good distance between the two modules and do not be exceed the -125

The traffic light symbol gives you the goodness of the right distance

Slides Test Bell

Place Sirena on the final installation site. By pressing START the siren must emit a sound and on the display you will see the intensity of the signal answered by the siren itself. The values of Rssi are negative but must never exceed -125

ID of the BELL



The RSSI Value reveal the good distance between the two modules and do not be exceed the -125

The traffic light symbol gives you the goodness of the right distance

Slides Connections

The screenshot shows a settings screen titled "Settings Connection Priority". At the top left is an "ESC" button, and at the top right is a "Scan WiFi" button. The main area contains several input fields: "Name APN", "User APN", "Pw APN", "Remote SSID", "Remote Password", "Local SSID", and "Local Password". Below these fields is a "Connection Priority Server" section with five buttons: "NO Connection", "WIFI/GSM", "GSM/WIFI", "WIFI Only", and "GSM Only". The "WIFI Only" button is highlighted in green. Callout boxes provide instructions: one points to the APN fields stating it's important to use the correct APN; another points to the SSID/Password fields explaining the "Scan WiFi" button; three boxes explain the connection priority options; and a large box at the bottom provides a general connection strategy.

It's IMPORTANT insert the right APN of the mobile phone company that you choose

Button to search for the WIFI of the zone access points. Then choose the network and enter the password, data that will appear in the Remote SSID and Remote Password

Settings
Connection Priority

ESC Scan WiFi

Name APN Name APN
User APN User APN
Pw APN Pw APN
Remote SSID Remote SSID
Remote Password Remote Password
Local SSID Local SSID
Local Password Local Password

Connection Priority Server NO Connection WIFI/GSM GSM/WIFI WIFI Only GSM Only

The System is connect to the network using the WIFI connection first then the mobile

The System is connect to the network using the WIFI connection only

The System is connect to the network using the mobile connection first then the WIFI

When you connect The System to the server use your easier connection WIFI or GSM one of both or first the much powerful then the secondary or in case you don't have any valid connection move to No Connection. The System is connected to the server just to manage future notifications and configure it by APP so it's important choose a SIM card with some MB data included, in case you don't want or don't have traffic data choose the option WIFI only or NO connection

Slides Times

Manual programming of the local date and time in UTC (UNIVERSAL TIME COORDINATED) and enter the Time Zone of the correct area
https://en.wikipedia.org/wiki/Time_zone Note: if the system has a data connection (or WiFi or GSM), the Auto Setting function is enabled (on) and the date and time will always be automatic and precise The auto DST (Daylight saving time) if enabled (on) automatically corrects daylight saving time and solar time

ESC

Times

Bell (Sec.) → 5

Time Zone (-12/+12 Hour) 0

Auto Setting on

Date 24

Month 24

Year 24

Hour 24

Minute 24

Auto DST on

Confirm

Seconds that the Bell will run

Move both the toggles to auto setting ON yellow to sincronize the clock with your local time

ESC **INFO** **SMS**

Firmware : x.x.x
Imei : 1234567890
Operator : VODAFONE
Network Reg : HOME
SSID Remote : MY SSID
Cloud Connected : WiFi
APN Name : internet.it
SSID Local : C6IoT
Option: :
Manual: : Download here: www.foalingalarm.net

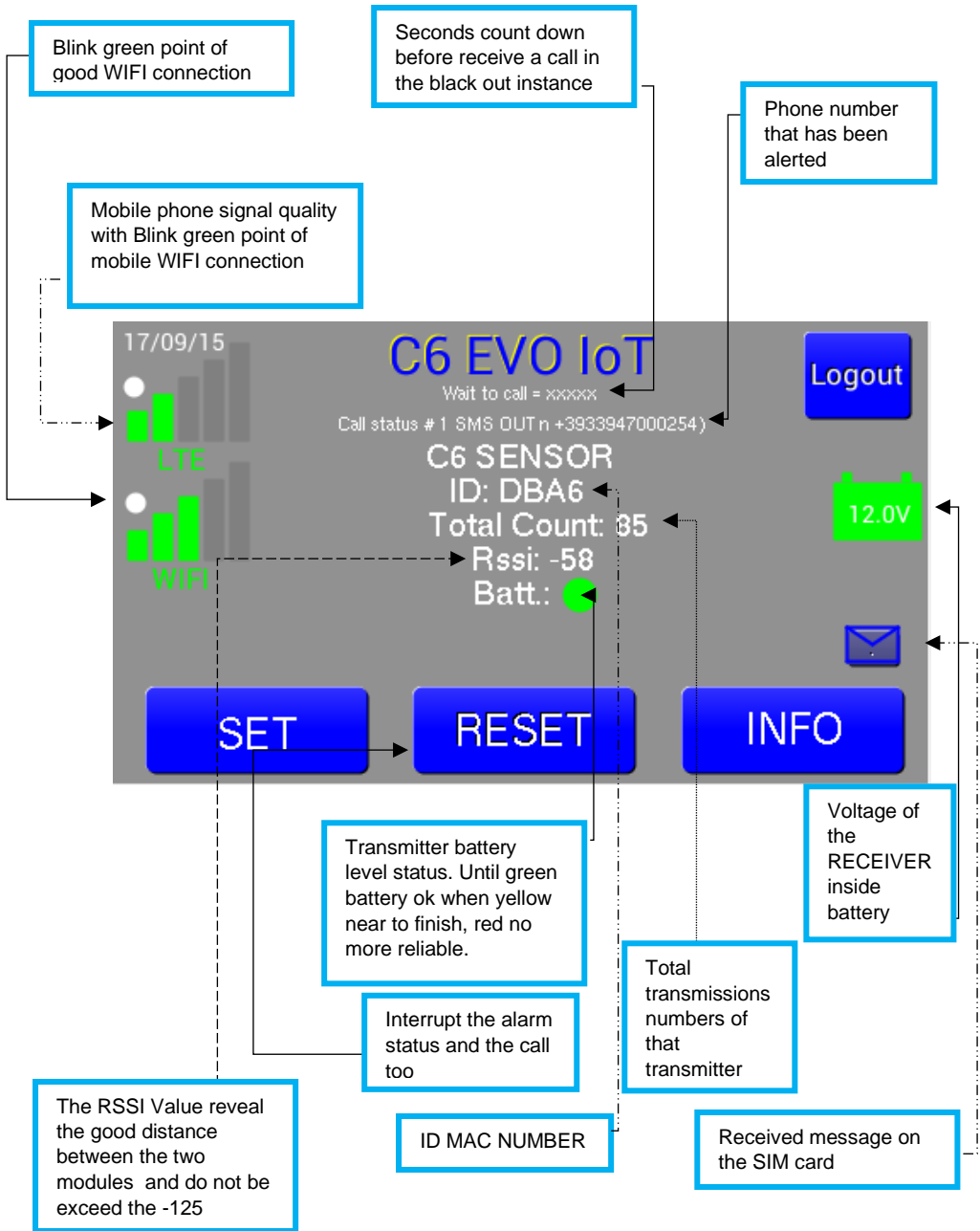
Exception
LOG
SEND

LOG pages that registers the events

immediate connection to the server

Technical assistance information

Slides Alarm



Warnings

N.B. this C6 EVO birth alarm system still needs the attention of a qualified staff who has the competence to take part in the phases close to the moment of delivery and in conjunction with a daily check of the entire C6 EVO IoT birth alarm system by performing a transmission test by removing the magnet (even after installation on the animal). The manufacturer assumes no responsibility for damage to persons, animals or things resulting from any malfunctions or breakdowns of the product.

Remember that when you activate an alarm removing the magnet from the C6 EVO TX, you must be in the proximity of C6 EVO RX and obviously that it's turned on. After each trial re-insert the magnet in its groove in order to re-set the initial condition.

With aim to keep the backup battery of the C6 EVO RX in a good state it's advisable to connect the power supply once every 3 months also during the non use periods (just put it on the 220/110 V network).

For a greater reliability it is advised to execute maintenance of this product periodically.

The content of this documentation is continuously checked and adapted if necessary. However, differences cannot be ruled out. No guarantee of completeness can be given. The updated version can be called up on the Internet on the website www.folingalarm.net after registration. Do not drop the device or battery. If the device or battery is subjected to impact, especially against hard surfaces, it can be damaged. Do not allow children or pets to bring the device and its accessories to their mouths and bite them. Do not use the device if its use is prohibited. Do not use the device if this involves danger or risk of interference with other electronic devices and Interference with medical equipment Follow the provisions and rules established by the hospital and health facilities. Do not use the device when this is prohibited. Some wireless devices may impair the operation of appliances hearing aids and pacemakers. Consult the operator for more information. Pacemaker manufacturers recommend that a minimum distance of 15 cm be maintained between the device and the pacemaker to avoid interference. Do not expose your device or its accessories to extreme heat or cold conditions. Conditions of this type can interfere with proper operation and cause a fire or explosion Do not use detergents, powders or other chemicals (such as alcohol and benzene) to clean the device or accessories. These substances can cause damage to the elements or even expose you to a risk of fire. For cleaning the device and accessories use a clean, soft cloth.

Warnings

Warranty and liability claims are excluded in the event of damage of any kind if they are attributable to one or some of the following causes:

- damage due to transport,
- improper use of the product or not in accordance with its intended purpose,
- use of the product in an unforeseen environment,
- use of the product without taking into account the relevant legal safety regulations at the place of use,
- failure to observe the warning and safety instructions contained in all essential documentation for the product,
- use of the product in incorrect safety and protection conditions,
- arbitrary modification or repair of the product and the software supplied,
- incorrect operation of the product due to the action of devices that generate radio frequency disturbances, electrical disturbances or in any case outside the limit values allowed by law,
- incorrect operation due to the telephone operator used or in any case attributable to problems due to the lack of connection, even temporary (for example Credit depletion of SIM credit, or always for example telephone cell of the operator saturated),
- malfunction due to the WiFi connection generated by the customer's Access Point incorrect or missing or with a weak signal,
- Poor or no maintenance both to the Base product (C6 EVO) and to the transmitters, in particular the latter must necessarily be checked and tested DAILY, a visual check must be made and immediately replaced if there are elements that indicate wear, degradation, wear, cracks or signs on the casing (including the magnet cylinder) that could compromise proper functioning at the time of delivery, that is, when they are subject to greater stress.

The C6 EVO product and its accessories are carefully checked and scrupulously tested before being put on the market. However, the correct functioning of the whole system (from generation of the alarm to telephone notifications) also occurs with the use of technologies that are not dependent on the system itself, whose malfunction cannot be foreseen, although these cases are very rare, should they occur, they cannot guarantee 100% reliability of the system and therefore replacing the "presence of a man"

Maintenance C6 EVO IoT Receiver and Transmitter

C6 EVO IoT (RECEIVER)

For proper operation, the receiver must be installed in a dry place, away from humidity and away from large stone and iron walls.

Collocate the Receiver in the middle of the area that you intend to monitoring

The inside battery will be on charge only when the plug is inserted in to the 220/110 V network and with the receiver in ON otherwise it will not in charge.

The inside backup battery must be substituted only by the producer or by authorized center and we advice to check it every 2-3 years

C6 EVO TRANSMITTER

The transmitter contain an electronic circuit with battery so keep attention to hit and fall that can cause rupture.

We advice also to try all your material when received in order to verify if everithing is ok.

Keep the transmitter away from any magnet field and well guarded on it's case.

Keep it clean after each use and wash it only with neutral soap and warm water with a soft tooth brush then dry carefully, check and immediately replace if there are elements that indicate wear, deterioration, fraying, cracks or signs on the casing (including the magnet cylinder)

The inside battery must be substituted only by the producer or by authorized center.

Warranty

Dear customer,
thanks for choosing our product, we take this opportunity in order to inform You that the C6 EVO Foaling Alarm System has been subjected to the most scrupulous functionality tests in our laboratories.

C6 EVO RX is guaranteed for a period of 24 months with exclusion of the inner backup battery.

The warranty is not valid in case of manumission, wrong installation, for inobservances of the present instructions or for external causes not due to the product (example: lightning's , fires, flooding etc.)

Expenses and the risks from and for the technical attendance or Sisteck, are on charge to the customer.

C6 EVO TX , is a delicate product trauma or improper use, can lead to the batteries, (example to be run down left with magnetic cylinder detached, without C6 EVO RX receiver turn it on in the proximity, for some hour), these cannot be included in the warranty.

Sisteck SRL
Via Atene, 3
41049 Sassuolo MO
Italia

c6@sisteck.com **www.sisteck.com**

Video Link

Installation phase

<https://www.youtube.com/watch?v=WXR1ulzc0KI>



Foaling mare Q.H.

<https://www.youtube.com/watch?v=-ZaD-gWF58Y>



Foaling mare Trotter

https://youtu.be/AQahfA_OSwa



